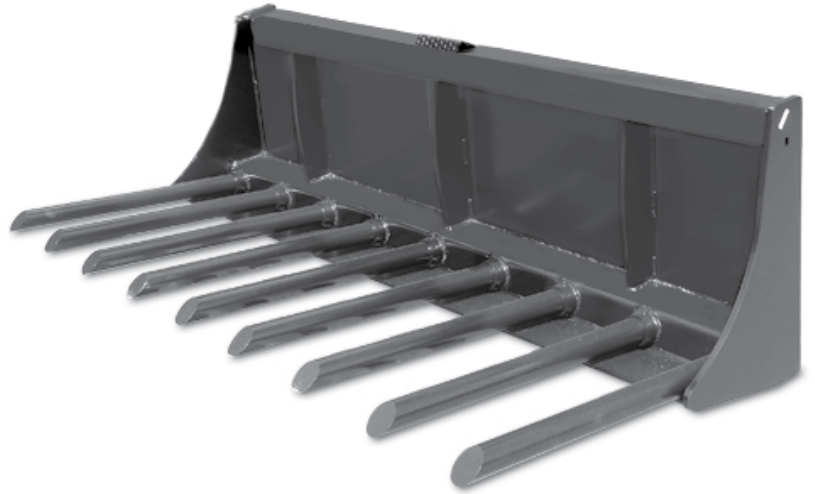


# X-treme Manure Forks Compact Tractor Manure Forks

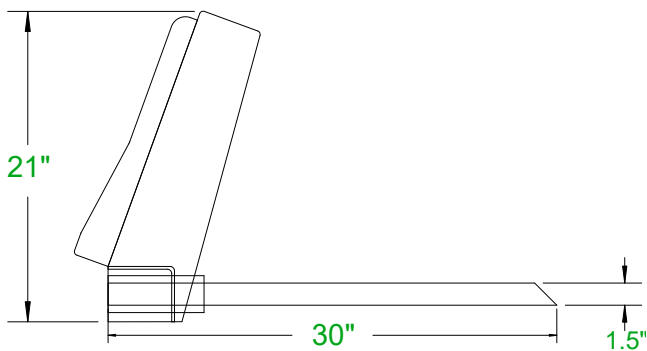
These forks are useful for manure and general pick up of materials when you only want to pick up the item and not the soil around it. The tines slide in through the front and are pinned from the rear.



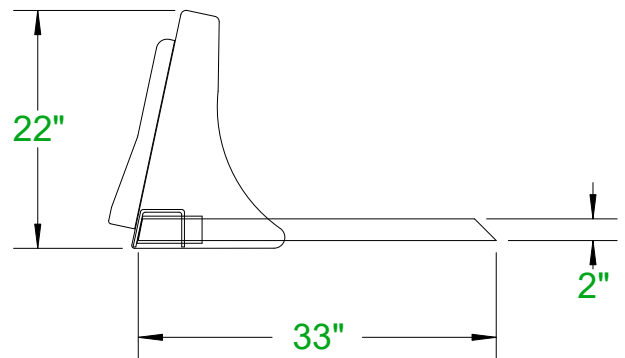
- Recommended for machines under 55 HP
- 1-1/2" cold rolled steel tines
- Available sizes: 54", 60", 66", 72"

- Strong 2" cold rolled steel tines
- Available sizes: 63", 66", 72", 78", 81", 84"
- Recommended for machines above 55 HP

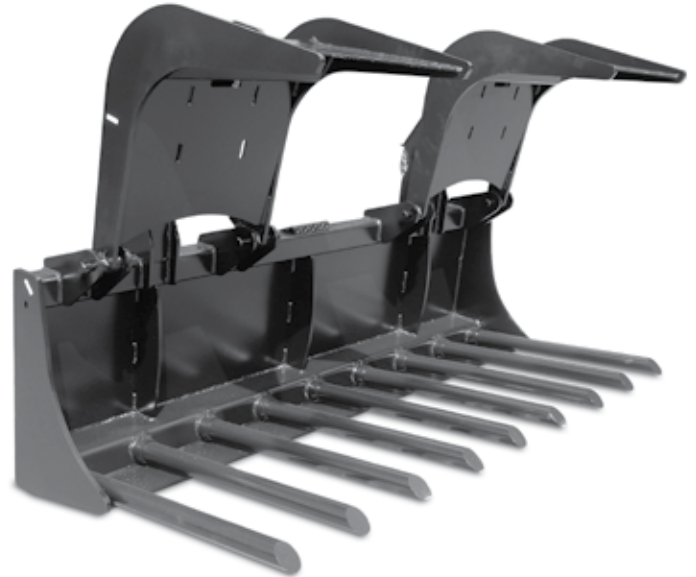
## Compact Tractor Manure Fork Specs



## X-treme Manure Fork Specs



# X-treme Manure Fork Grapples Compact Tractor Manure Fork Grapples



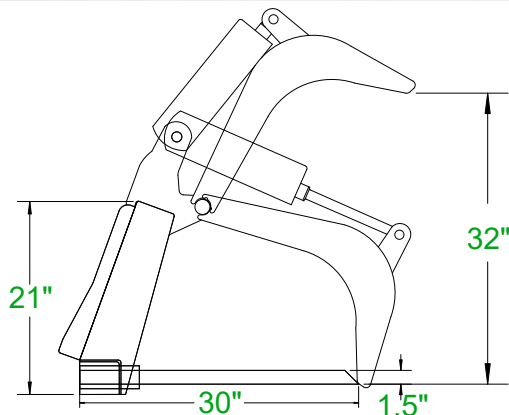
These forks are useful for manure and general pick up of materials when you only want to pick up the item and not the soil around it. The tines slide in through the front and are pinned from the rear.

Our X-treme Manure Fork Grapple is an excellent piece of equipment to have on the farm. Whether moving bales of hay or cleaning up after storm damage, you will find many uses for the manure fork grapple. Strong 2" cold rolled steel is used on the bottom tines.

- Recommended for machines under 55 HP
- 1-1/2" cold rolled steel tines
- 2"x 10" cylinder
- Available sizes: 60", 66", 72"

- Strong 2" cold rolled steel tines
- 2"x 10" twin cylinders
- Available sizes: 63", 66", 72", 78", 81", 84"
- Recommended for machines above 55 HP

## Compact Tractor Manure Fork Grapple Specs



## X-treme Manure Fork Grapple Specs

