

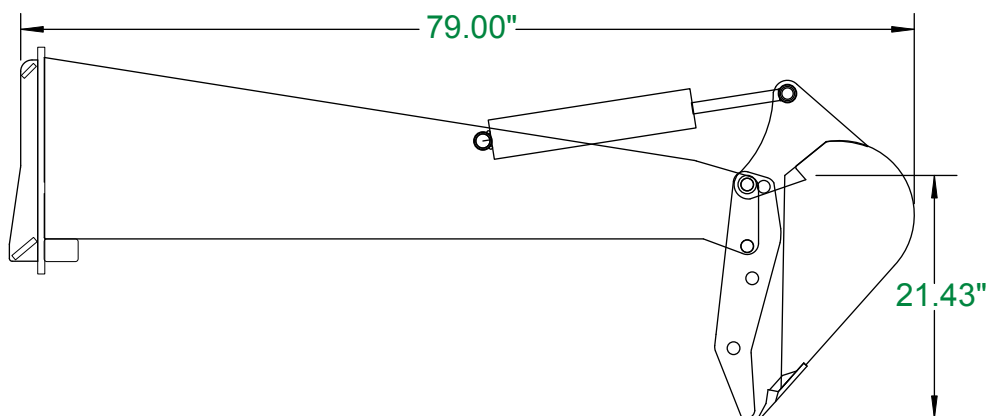
X-treme Stiff Arm Backhoe



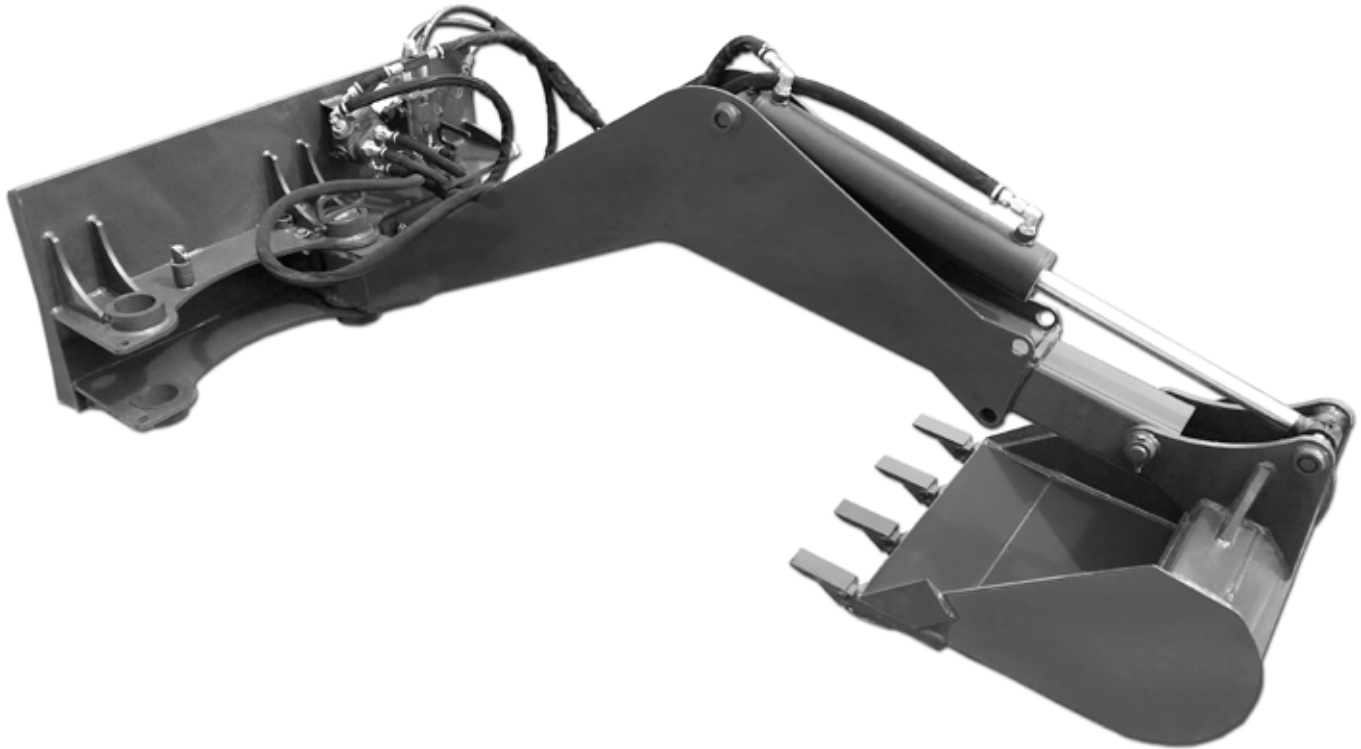
Our X-treme Stiff Arm Backhoe is an excellent tool for digging ditches, removing stumps and digging footings. With the option of adding a thumb, you can move logs, chunks of cement and most anything else. Buckets come in sizes of 8", 12", 16", 20" and 24". The bucket is powered by an American made 3" x 16" cylinder. With 7' of digging depth and 14,000 lbs. of ripping force, it is an aggressive digging machine.

- Optional thumb attachment
- Digging depth of 7'
- 3" x 16" cylinders
- Available bucket sizes: 8", 12", 16", 20", 24"

X-treme Stiff Arm Backhoe Specs



X-treme Swing Arm Backhoe



Our X-treme Swing Arm Backhoe is an excellent tool for digging ditches, removing stumps and digging footings. It uses an electric over hydraulic control to operate both the bucket and swing cylinder from one auxiliary valve on your machine. This allows a 110 degree swing right or left.

With the option of adding a thumb, you can move logs, chunks of cement or just about anything else. Buckets come in sizes of 8", 12", 16", 20" and 24". The bucket is powered by an American made 3" x 16" boom cylinder and 3" x 6" swing cylinder. With 7' of digging depth and 14,000 lbs of ripping force, it is an aggressive digging machine.

- 110 degree swing right or left
- Powered by an American made 3" x 16" boom cylinder and swing 3" x 6" cylinder.
- Available bucket sizes: 8", 12", 16", 20", 24"
- Available with universal 8 or 14 pin wiring harness

X-treme Swing Arm Backhoe Specs

