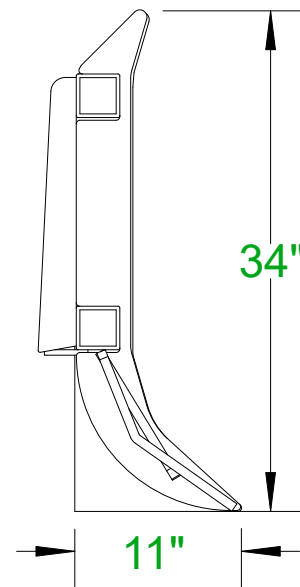




Our X-treme Root Rake is excellent for rolling debris into tight piles for easy burning. It will easily remove large rocks, roots and other objects on and below the surface. The tines are made from top quality 5/8" steel and spaced on 6" centers.

- Excellent for rolling debris into tight piles
- Tines spaced on 6" centers
- 5/8" steel construction
- Available sizes: 66", 72", 84", 96"

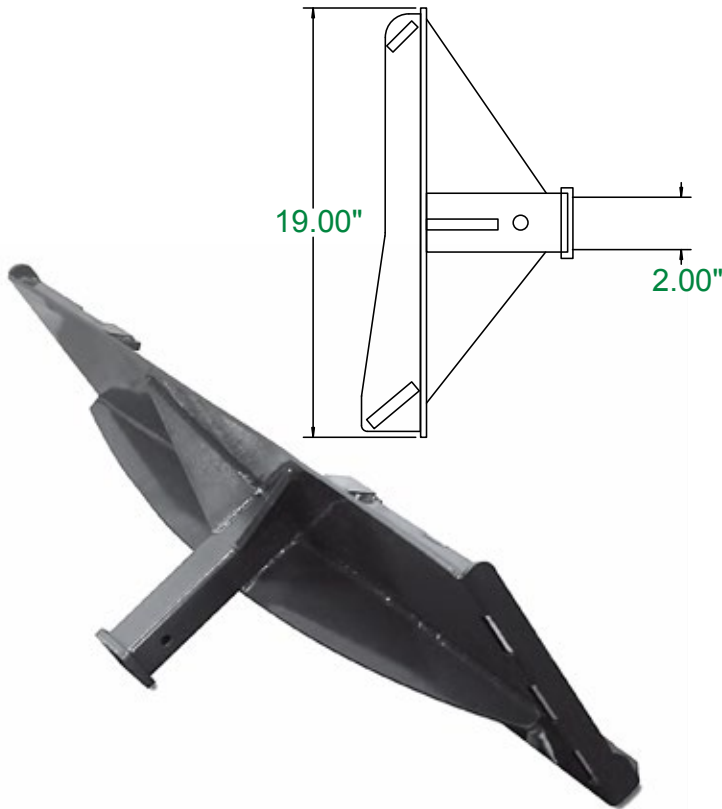
X-treme Root Rake Specs



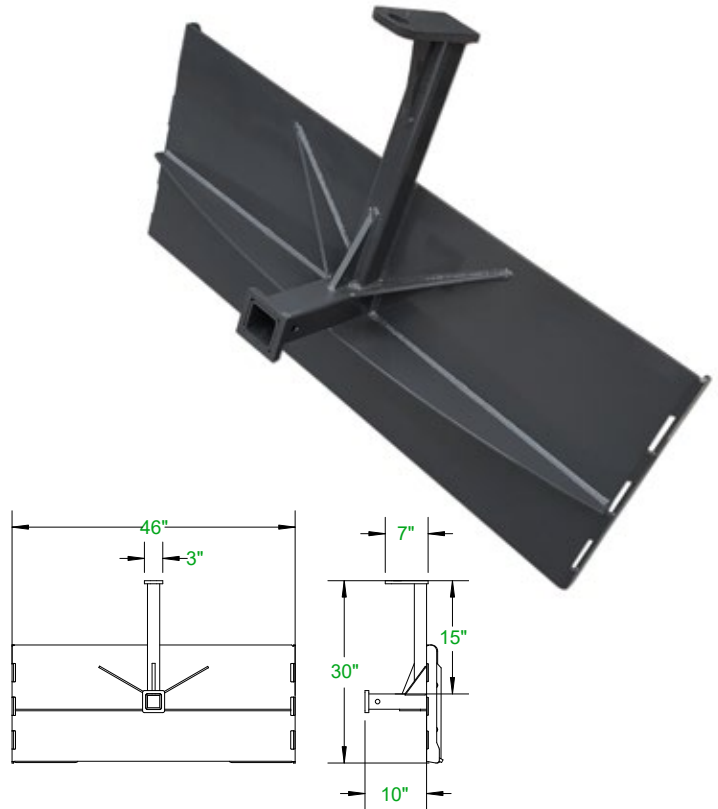
Receiver Hitch

Our receiver hitch makes it easy to move trailers around the yard using your skid steer. While it uses the same ball mounts you use in your other vehicles, hooking up only takes a fraction of the time required to hook a trailer to your truck.

Receiver Hitch Specs



Gooseneck Receiver Hitch Specs



3-Point Hitch

The CID 3-Point Hitch is handy to have around the farm. Simply drive your skid steer up to the implement, hook it up and go. No need to get your tractor out, just to move some attachments around. **Available in cat 1 or cat 2.**



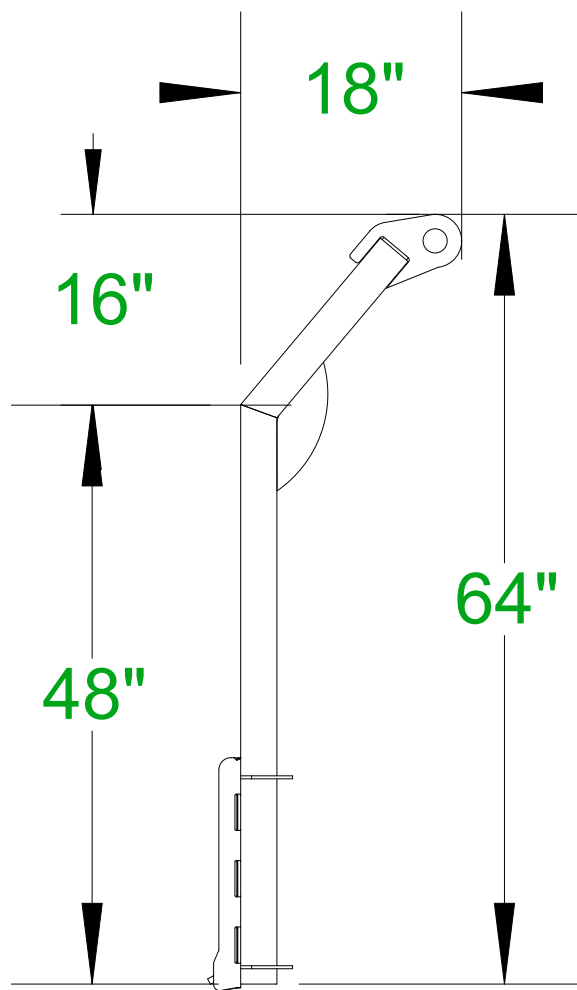
X-treme Boom Pole



The X-treme Boom Pole is an essential tool for anyone in the landscaping or nursery industry. Easily pick up trees to be planted, transported or loaded. The boom is constructed from 3" x 3" tubing that is 1/4" thick, and is rated to carry 3,000 lbs. You also have the option of ordering it with an extended 4 x 4 tube boom pole.

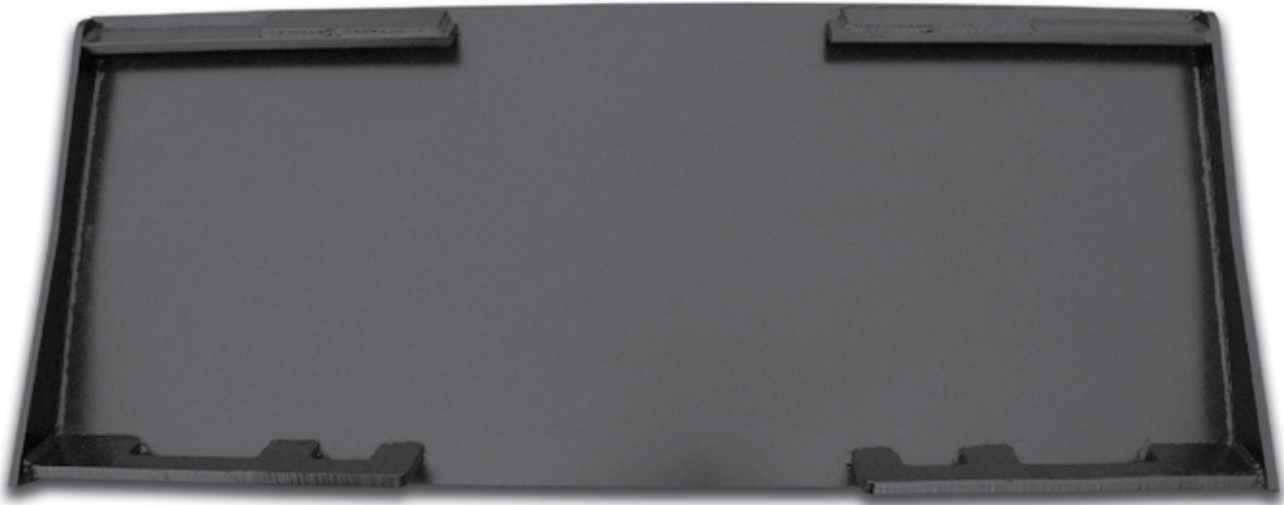
- Constructed from 1/4" thick, 3" x 3" tubing
- Rated to carry 3,000 lbs.
- Upgraded 4 x 4 tubing available

X-treme Boom Pole Specs



Universal Skid Steer Quick Attach

With the CID Universal Skid Steer Quick Attach plate, you can easily convert your existing attachment to the universal skid steer hook up. Simply weld or bolt the quick attach plate to the implement you wish to convert. Our standard quick attach steel plates are 1/4" thick and are solid across the back. The mounts are 1/2" thick. We can also make the steel plates thicker for different applications.



3/8" and 1/2" available

X-treme Tooth Bar

Attaching a CID tooth bar to your existing bucket means you are ready for some serious digging. Simply drill a hole on each side of your bucket and bolt on the tooth bar. The shanks on the tooth bar hook onto your existing cutting edge, where all the pressure is applied. The bolts simply hold the tooth bar on the bucket. Our tooth bar teeth are all replaceable, so you don't have to worry about breaking one.

Note: Will not work with bolt on edge



- Replaceable teeth
- Available Sizes: Any Size Needed
- Optional small teeth available



The CID concrete claw is designed to pick up big slabs of broken concrete on job sites, construction sites, driveways and sidewalks. The concrete claw can also be used to remove stumps, shrubs, bushes, and large rocks.

- 5/8" AR400 sides.
- 3/8" bottom & top plates.
- 4" square tube on top.
- 1" x 8" edge with 23 series teeth.

Concrete Claw Specs

