

PALLET FORK ATTACHMENTS

*All Pallet Fork Attachments Ship Completely Assembled.
Includes Bolt On Step, USA Tines, and Universal Skid Steer Mount.*



**NOTE: Premier will Personalize the Pallet Fork Frame with the Dealer Name, Upon Request.
Call 1-866-458-0008 for Details.**

MINI SKID STEER PALLET FORKS

MODEL#	DESCRIPTION	APPROX. SHIP WEIGHT	SUGGESTED LIST PRICE (US \$)
PF32MSC1	Mini Pallet Fork, 32" Tine, 2000 lbs Load Capacity		Coming Soon
PF42MSC1	Mini Pallet Fork, 42" Tine, 2000 lbs Load Capacity		Coming Soon
PF32MTC1	Bobcat MT Pallet Fork, 32" Tine, 2000 lbs Load Capacity		Coming Soon
PF42MTC1	Bobcat MT Pallet Fork, 42" Tine, 2000 lbs Load Capacity		Coming Soon

COMPACT TRACTOR PALLET FORKS

MODEL#	DESCRIPTION	APPROX. SHIP WEIGHT	SUGGESTED LIST PRICE (US \$)
PFC42C1	Compact Tractor Pallet Forks, 42" Tines, 2000 lbs Load Capacity	215 lbs	\$ 800.00
PFC42JDC1	John Deere Compact Pallet Fork, 42" Tines 2000 lbs Load Capacity	215 lbs	\$ 825.00

TRACTOR LOADER PALLET FORKS

MODEL#	DESCRIPTION	APPROX. SHIP WEIGHT	SUGGESTED LIST PRICE (US \$)
PF42G	Global Mount Pallet Fork, 42" Tines, 4000 lbs Capacity	405 lbs	\$ 1,050.00
PF48G	Global Mount Pallet Fork, 48" Tines, 4000 lbs Capacity	418 lbs	\$ 1,085.00
PF42JD	John Deere 400/500 Mount Pallet Fork, 42" Tines, 4000 lbs Capacity	420 lbs	\$ 1,050.00
PF48JD	John Deere 400/500 Mount Pallet Fork, 48" Tines, 4000 lbs Capacity	432 lbs	\$ 1,085.00

STANDARD DUTY CLASS II UNIVERSAL SKID STEER PALLET FORKS

MODEL#	DESCRIPTION	APPROX. SHIP WEIGHT	SUGGESTED LIST PRICE (US \$)
PF42	Pallet Fork, 42" Tines 4000 lbs Capacity	420 lbs	\$ 1,008.00
PF48	Pallet Fork, 48" Tines 4000 lbs Capacity	430 lbs	\$ 1,035.00
PF42HD	Pallet Fork, 42" Tines 6000 lbs Capacity	465 lbs	\$ 1,213.00
PF48HD	Pallet Fork, 48" Tines 6000 lbs Capacity	490 lbs	\$ 1,240.00
PF60HD	Pallet Fork 60" Tines 5000 lbs Capacity	530 lbs	\$ 1,375.00
PF42-I	Value Pallet Fork, 42" Tines 4000 lbs Capacity	420 lbs	\$ 973.00
PF48-I	Value Pallet Fork, 48" Tines 4000 lbs Capacity	430 lbs	\$ 999.00

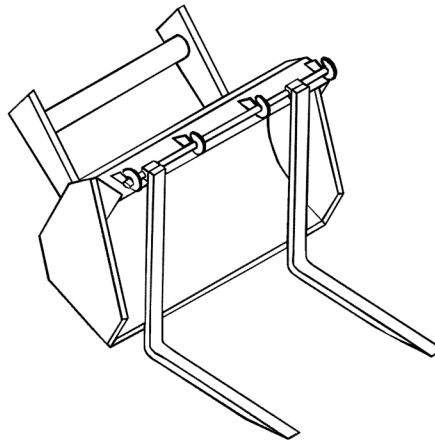
PALLET FORK ATTACHMENTS continued...

HEAVY DUTY CLASS III UNIVERSAL SKID STEER PALLET FORKS

MODEL#	DESCRIPTION	APPROX. SHIP WEIGHT	SUGGESTED LIST PRICE (US \$)
PF42C3	Pallet Fork, 42" Class III Tines, 8000 lbs Capacity	500 lbs.	\$ 1,905.00
PF42C3W	Pallet Fork, 42" Class III Tines, 8000 lbs Capacity, Wide Frame	525 lbs.	\$ 2,105.00
PF48C3	Pallet Fork, 48" Class III Tines, 8000 lbs Capacity	520 lbs.	\$ 1,950.00
PF48C3W	Pallet Fork, 48" Class III Tines, 8000 lbs Capacity, Wide Frame	545 lbs.	\$ 2,150.00
PF60C3	Pallet Fork, 60" Class III Tines, 8000 lbs. Capacity	550 lbs.	\$ 2,130.00
PF60C3W	Pallet Fork, 60" Class III Tines, 8000 lbs. Capacity, Wide Frame	570 lbs.	\$ 2,280.00

DRIVE-IN FORKS

MODEL#	DESCRIPTION	APPROX. SHIP WEIGHT	SUGGESTED LIST PRICE (US \$)
DPF48	Drive-In Forks, 48" Tine Length, 5,500 lbs. Capacity, for 39" Bucket Opening. (Includes 4 Bucket Fork Hooks)	470 lbs	\$ 1,916.00
52075	Bucket Fork Hooks (each)	10 lbs	\$ 55.00



HEAVY DUTY WELD-ON MOUNT BLANK

MODEL#	DESCRIPTION	APPROX. SHIP WEIGHT	SUGGESTED LIST PRICE (US \$)
95009	Heavy Duty Weld-on Adapter, 5/16" Steel Plate	85 lbs.	\$ 215.00
95021	Heavy Duty Weld-on Adapter, 3/8" Steel Plate	110 lbs.	\$ 262.00
50124	Mini Skid Mount Plate	40 lbs.	\$ 145.00
95029	Bobcat MT Mount Plate	70 lbs.	\$ 195.00



Heavy Duty Weld-On Mount Blank